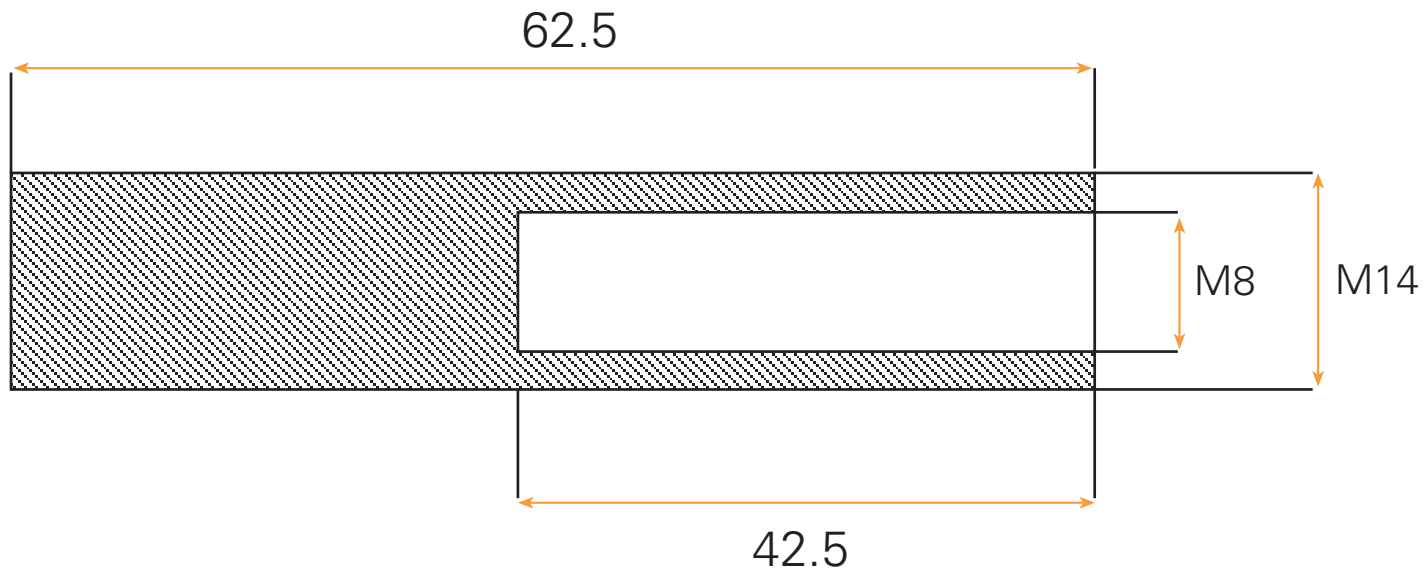


SMALL SIZE



DIRECT LOAD

F.S.2:1 6383N / 650KG

F.S.3:1 4255N / 433KG

